

PART3

FOOT SWITCH



FOOT SWITCH

FOOT SWITCHES



KH-8012
KH-8012Y



KH-8013



KH-8015



KH-8016



KH-8017



KH-8018

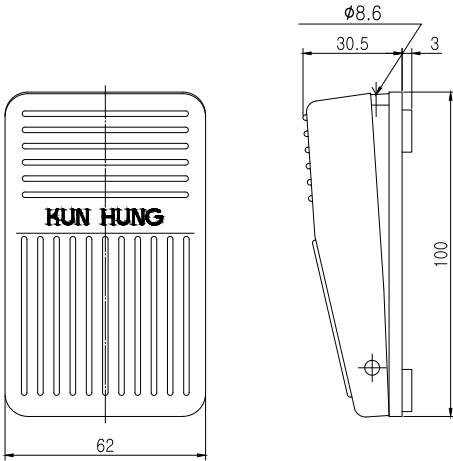
Specification

Model	Ratings	Built-in switch	Material	Wire length	Weight
KH-8012	125VAC 15A 14VDC 15A	KH-9012PBFC	ABS	1.5m(2P)	131g
KH-8013	125VAC 15A 14VDC 15A	KH-9012PBFC	Aluminum die-casting	1.5m(2P)	3400g
KH-8015	125VAC 15A 14VDC 15A	KH-9015PBF		1.5m(2P)	428g
KH-8016	250VAC 15A(2P)	KH-201 Contact block		None	416g
KH-8017	125VAC 15A 14VDC 15A	KH-9015PBS		1.5m(2P)	525g
KH-8018	250VAC 15A(3P)	KH-201 Contact block		None	455g
KH-8115	125VAC 15A 14VDC 15A	KH-9015PBF	Zinc-alloy die-casting	2m(3P)	2,365g

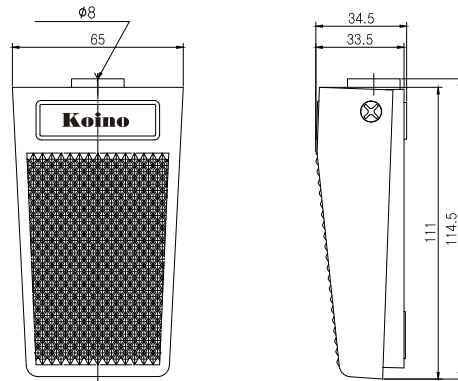
FOOT SWITCHES

Dimensions

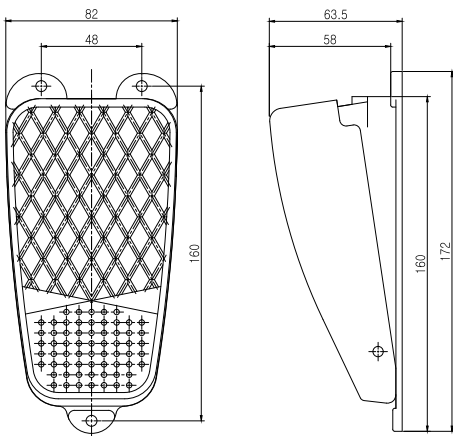
KH-8012



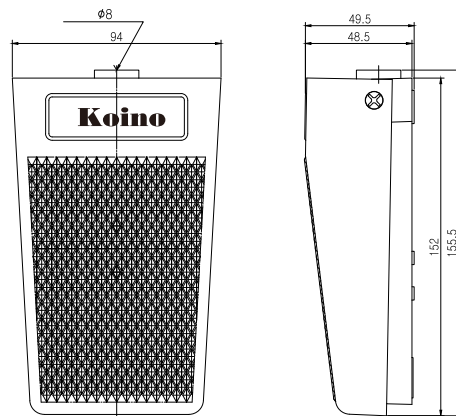
KH-8013



KH-8015, 8016



KH-8017, 8018



CONTROL
COMPONENTS

MICRO
SWITCH

FOOT
SWITCH

LIMIT
SWITCH

POWER
SWITCH

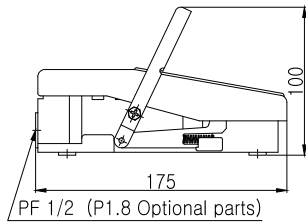
HOIST
SWITCH

CAM
SWITCH

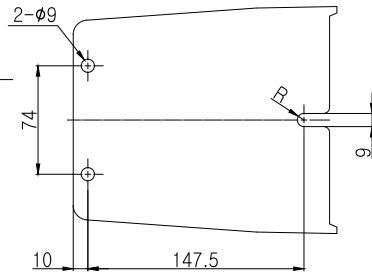
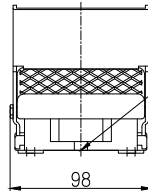
FOOT SWITCHES

Dimensions

KH-8115



KH-8115 Housing Cover



Panel cut - out

